

## SURFACE-MOUNTED DROP-DOWN DOOR SEAL KIT

### What's in the Kit?

PLEASE CHECK THAT ALL OF THE FOLLOWING IS INCLUDED IN THE KIT BEFORE COMMENCING WORK

For door widths 730mm and below.

1 x SBM5, Black Soundproofing Mat

For doors wider than 730mm.

2 x SBM5, Black Soundproofing Mats



5 x Lengths of Self-adhesive Seals for the sides and top of the doorframe



1 x Screw-on Drop Down Threshold Seal with Cover



Door Frame Block and two spacers



Pack of 4 Black Screws and Plastic insert to hide screws in Door Frame Block



1 x Can Sta-Stuk Aerosol Contact Adhesive



1 x Set Installation Instructions

## Installation Guide for Seal Kit 1 / Single Door

Please read through this sheet before the commencement of any work.  
Failure to install as detailed below may result in the products not performing as specified.



### STAGE 1 - Attaching the black sound insulation mat/s to one side of the door

Materials needed:

Sharp Scissors, Tape Measure, Sta-Stuk adhesive (supplied) and Soundproofing Mat (supplied)

- 1) Ensure the door leaf is clean, dry and smooth
- 2) Remove all door furniture (except the hinges) from the side of the door to be treated

The following is easier if the door is removed from the frame but can be fitted with the door in situ if preferred.

- 1) Measure the door and cut the soundproofing mat to fit the door exactly, which will entail cutting and jointing as necessary.

- 2) Remove the lid from the adhesive can. You will notice that the nozzle is adjustable. This should be set to maximum spray pattern by turning the nozzle clockwise to the last setting marked on top of the can. (See image right) The spray comes out in a cobweb effect. Spray the door right to the edges, and ensure you apply a reasonable amount and the flow is regular and consistent.



- 3) Spray one side of the black mat in the same way as the door.
- 4) Leave both the door and the mat for 2 minutes. (This allows the adhesive to cure before sticking the carpet to the door)
- 5) Stick the mat to the Hinged side opening of the door, adhering from top to bottom. Only one attempt can be made as the adhesive bonds very quickly.  
(Make sure the mat is covering the door completely)

- 6) To finish off, screw an MDF or ply panel to the door and over the soundproofing mat and decorate when the installation of the door seals has been completed.

**IT IS VERY IMPORTANT THAT YOU ONLY USE THE ADHESIVE SUPPLIED BECAUSE IF YOU USE ANOTHER GLUE TO BOND ANYTHING TO THE BLACK MAT, IT MAY BREAK DOWN THE PVA COMPOSITION.**

### STAGE 2 - Attaching the Door Frame Perimeter Seal

Materials needed:

Sharp Scissors, Tape Measure, and Corner Seals (supplied)

- 1) Make sure the door frame in the corner of the door stop is clean, dry and smooth.
- 2) If there is a card insert in the seal, please remove it. Measure the door jamb at either side and at the top to determine the length of seal needed, then cut to the required lengths if necessary.
- 3) Install the vertical sections first. Remove approx. 15 cm of the adhesive backing at a time and apply from top to bottom. Run your finger through the centre of the seal to ensure it has stuck well on either side. (See Picture).
- 4) As the seal is supplied in one-metre lengths, just butt joint the two pieces together where needed.



#### NOTE

During the installation process, be careful removing and repositioning the seal, as this may affect the adhesive bond. If painting the door, make sure the paint has fully dried before closing onto the seal. Otherwise, sticking may occur, which could damage the seals.

#### STAGE 3 - Attaching the Threshold Seal

The drop-down seal comprises two parts, the section that is screwed to the bottom of the door leaf and an aluminium cover to hide the screws.

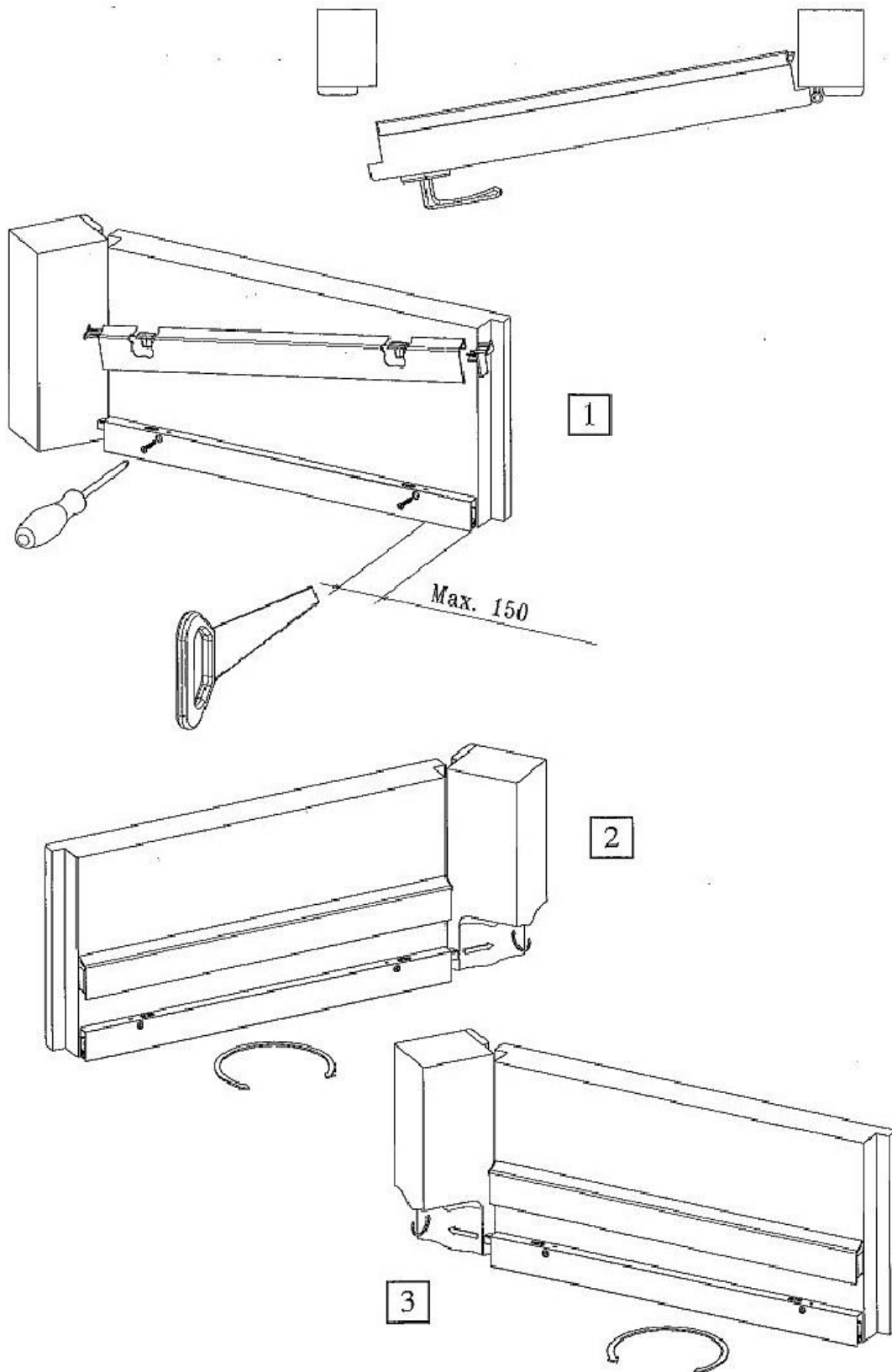


One end of the seal has a protruding plunger, as shown in the picture alongside and depresses when the door is closed, which activates the drop-down seal that then conforms to the level of the floor and is fitted as detailed below.

- 1) Measure the width of the door leaf, then cut the seal to length using a sharp hacksaw. The end furthest from the activating plunger is the end that should be cut, and no more than 150mm should be taken off.
- 2) If the door seal is to be fitted to the closing side of the door, the plunger should be at the hinged end so that when closed, the plunger is depressed by the door frame. But if the seal is to be fitted to the opening side of the door, the plunger end should be beneath the lock or handle. See attached diagrams.
- 3) Separate the cover from the seal, then screw the seal to the bottom of the door with the screws provided so that the bottom of the retracted seal is level with the bottom of the door. If the space between the bottom of the door and the floor is too great, position the door seal so that the bottom of the seal is about 6mm from the floor's surface. See section 1 in the attached diagrams.
- 4) If the plunger is fitted on the opening side of the door, then a lug has to be screwed to the door frame to depress the plunger when the door is closed and should be fitted with the screws provided. There are also two packing pieces to ensure the lug is correctly positioned for the plunger and can be used if required. Once fitted, check the drop-down seal works

correctly and reposition the lug if necessary. If satisfied with the operation, fit the black plastic cover into position to hide the screws.

### HINGED SIDE FITTING



LOCK OR HANDLE SIDE FITTING

